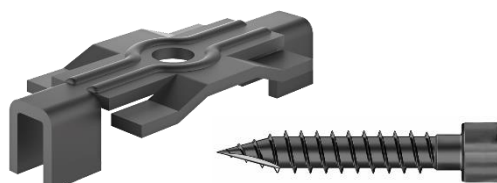

NATIONAL DECLARATION OF CONFORMITY

Nr 1-K/08/2018/PINAT



PICLIP



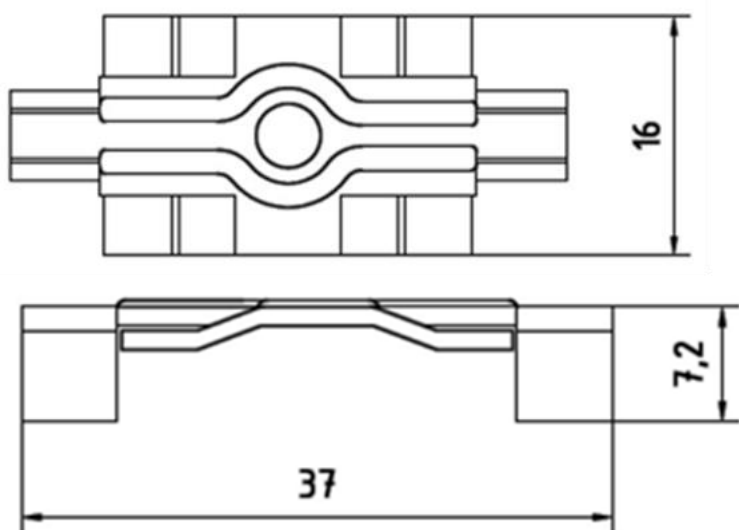
1. Dimension:

- Clip: 7,2 x 16 x 37 mm
- Screw: Ø 4,2 x 16 mm

2. Material:

- Clip: ferritic stainless steel 1H13 (1.4016), black color
- Screw: stainless steel H17 (1.4006), black color

3. Technical draw:



4. Application/ Properties:

- for aluminum, composite and wooden joists;
 - invisible and quick installation of terrace boards
 - installation using side edges of boards
 - the size of the joint / gap between the boards set automatically
 - easy disassembly of individual boards
 - the ability to correct the position of the boards
 - replacement of individual boards in each place of the terrace
-

5. Steel properties:

-1H13

Ferritic, chrome, stainless, corrosion resistant steel, used for parts and components in the environment of water and steam. Stainless steel with good machinability and limited weldability.

equivalent according to standards

PN	NO.	EN	AISI	Other
1H13	1.4006	X12Cr13	410	2302

chemical composition [%]

C	Si	Mn	Cr	Mo	Ni	S	P	Other
0.08	< 1.00	< 1.50	11.50	-	< 0.75	< 0.015	< 0.040	-
0.15			13.50					

-H17

Ferritic steel is corrosion resistant, highly ductile and flexible. Resistant in the environment of water and steam, weak acids and alcohols.

equivalent according to standards

PN	NO.	EN	AISI	other
H17	1.4016	X6Cr17	430	-

chemical composition [%]

C	Si	Mn	Cr	Mo	Ni	N	S	P	other
< 0.08	< 1.00	< 1.00	16	-	-	-	< 0.03	< 0.04	-
			18						

I declare with full responsibility that the above product meets the requirements of the relevant standards.


PINAT
Natalia Machnik-Pawlak
ul. Nowy Świat 19 162-600 Kalisz
NIP 622240936 REGON 302300040